



TECHNICAL BULLETIN NO. 120

CONVERTER ACCESSORY CORPORATION

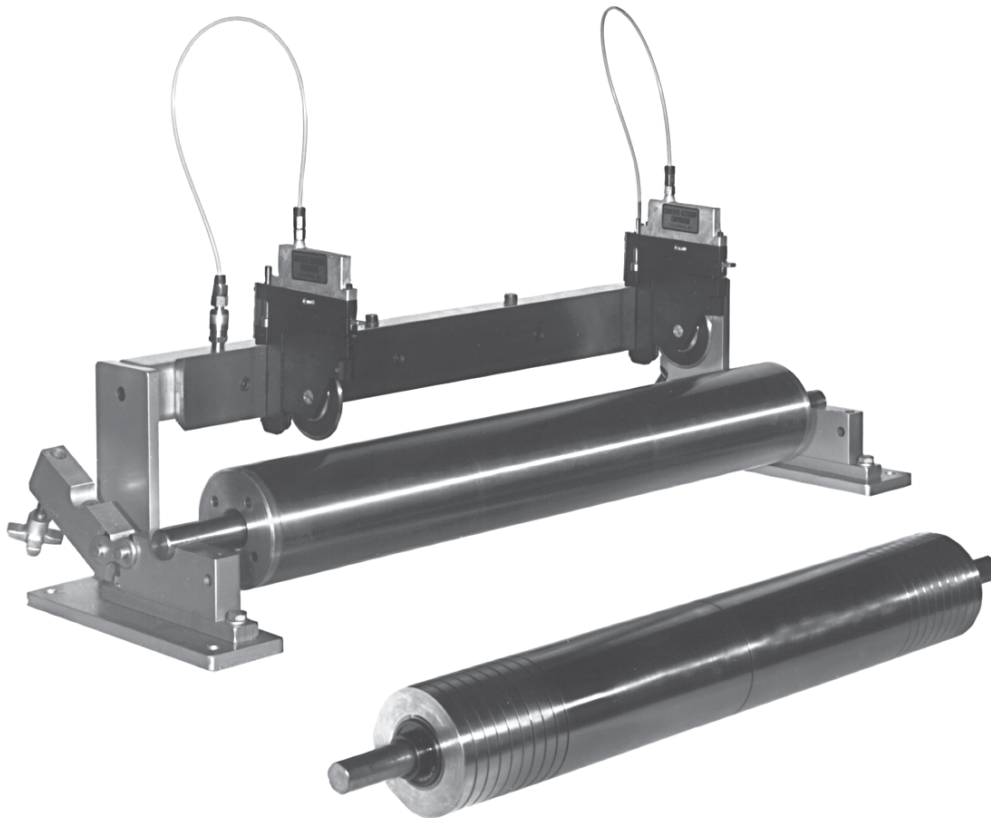
201 Alpha Road, Wind Gap PA 18091

www.handleyourweb.com E-mail: cac@epix.net

Phone: 800-433-2413 or 610-863-6008

Fax: 800-709-1007 or 610-863-7818

IN-LINE SLITTING ASSEMBLY

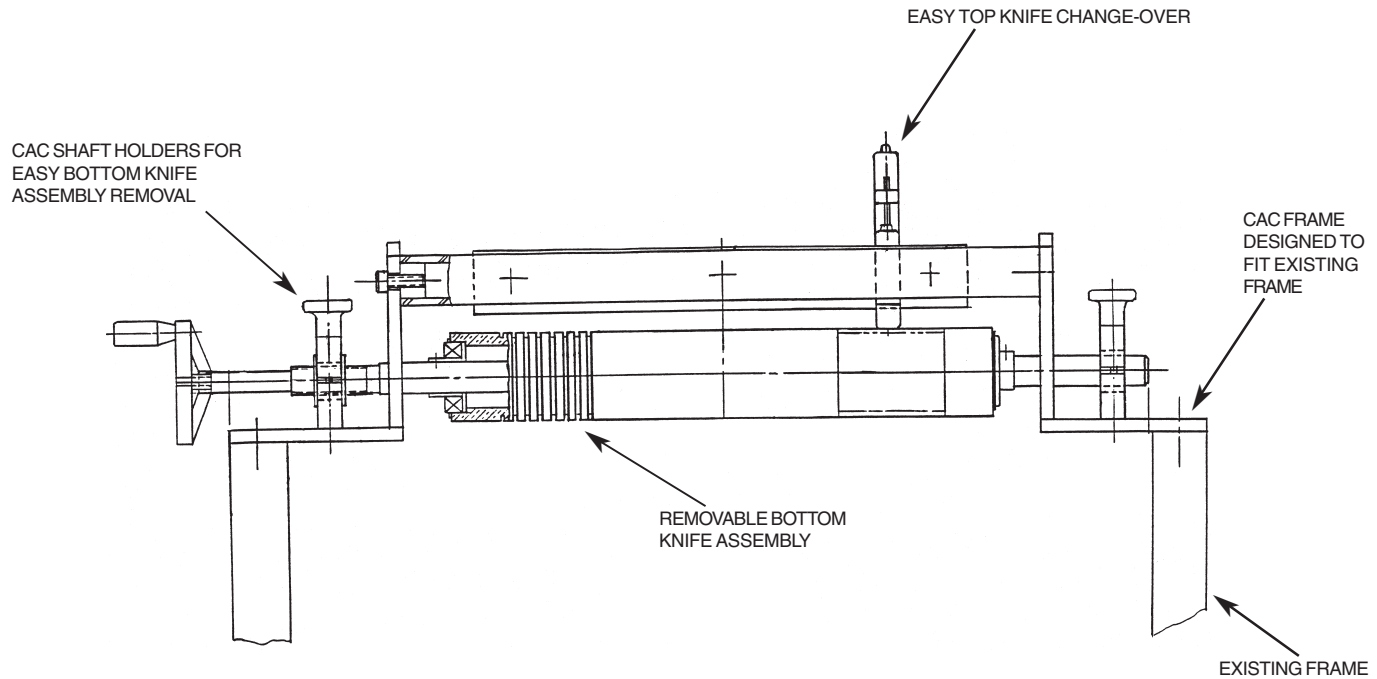


- Ideal for all web-fed converting equipment
- Can incorporate a web guide for increased web accuracy
- For use with all types of materials
- Simple operation-manual adjustments for easy centering of blade to grooved bottom roll or knives
- Custom designed for individual requirements
- Constructed of structural steel weldments for maximum strength and rigidity
- Easily retrofits to existing equipment
- Specially designed mounting frame facilitates installation, operation and maintenance
- Cost effective

Web Handling Technology...CAC Engineered & Manufactured

IN-LINE SLITTING ASSEMBLY

DESIGNED AND MANUFACTURED BY CAC



CAC:

Tried, tested and reliable products for the web-fed industry

- Core Support Systems
- Shaft Support Systems
- Wrinkle Removal Systems
- Unwind/Rewind Systems
- Modular Slitting Systems
- Brakes & Clutches
- Pneumatic Trim & Matrix Removal Systems



Web Handling Technology... CAC Engineered & Manufactured CONVERTER ACCESSORY CORPORATION

201 Alpha Road, Wind Gap PA 18091
www.handleyourweb.com E-Mail: cac@epix.net
Phone: 800-433-2413 or 610-863-6008
Fax: 800-709-1007 or 610-863-7818