



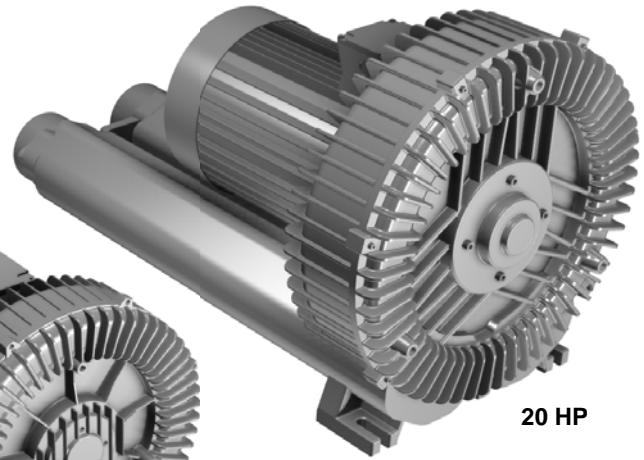
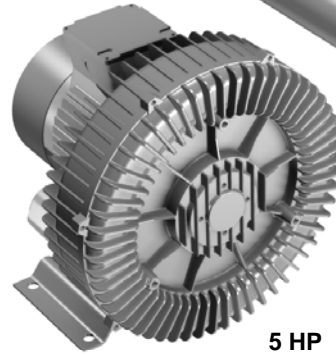
Converter Accessory Corporation
www.converteraccessory.com



Pneumatic Conveying Systems
www.foxtrimaway.com



Complete list of available blowers below

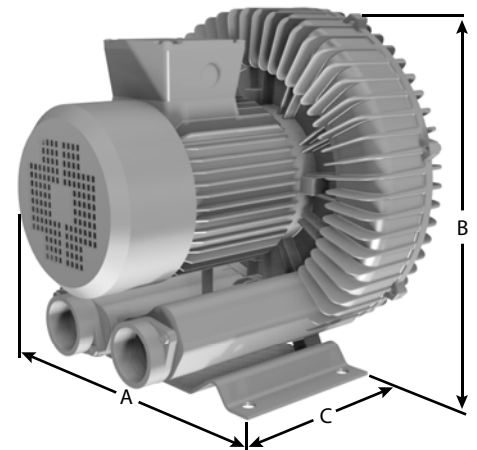


For more information on our blowers, visit: www.converteraccessory.com/blower

Particularly well suited for use with CAC's FOX TrimAway® pneumatic trim removal systems, regenerative blowers deliver **powerful, energy efficient and quiet performance.**

- Blowers are available for 50 and 60 Hz operation
- Noise levels are well below competitors
- Light weight, compact design - easy installation
- Virtually maintenance free operation - double shielded, sealed stainless steel bearings
- Efficient electricity consumption to save you money
- Full complement of accessories including filters, silencers, starters and VFD's available

Approximate Dimensions (in inches)						Noise Levels (approx dba at vacuum)	Use with Venturi	Approx Conveying Distance
Model	HP	A	B	C	Weight (lbs.)			
300AB	.50	9.05	9.64	9.78	25	61	FX1	10 - 15'
400AB	.67	9.05	9.64	9.78	24	61	FX1	10 - 15'
350AB	1.00	11.22	11.89	10.23	35	64	FX1	30'
450AB	1.25	11.22	11.89	10.23	31	64	FX1	30'
500AB	2.00	13.11	13.30	12.40	57	70	FX2	50'
501AB	2.00	13.11	13.30	12.40	49	70	FX2	50'
600AB	3.50	11.65	13.30	12.51	51	70	FX1, FX2	50 - 75'
700AB	5.00	15.00	15.03	14.44	75	72	FX2, FX3	100' +
800AB	10.00	18.11	19.48	17.12	185	80	FX2, FX3	100' +
1015AB	20.00	21.92	22.67	39.28	247	81	FX3	150' +



Electrical Data										
Electrical Data	Single Phase			Three Phase						
Model	300AB	350AB	500AB	400AB	450AB	501AB	600AB	700AB	800AB	1015AB
Voltage	110-120/ 220-240	110-120/ 220-240	110-120/ 220-240	220-275/ 380-480	220-275/ 380-480	220-275/ 380-480	220-275/ 380-480	220-275/ 380-480	220-275/ 380-480	220-275/ 380-480
Current / Amp	7.80Δ/ 3.90Y	13.00Δ/ 6.50Y	23.00Δ/ 11.50Y	2.30Δ/ 1.30Y	3.90Δ/ 2.30Y	6.00Δ/ 3.50Y	7.00Δ/ 4.00Y	13.50Δ/ 7.80Y	26.00Δ/ 13.00Y	51.50Δ/ 29.80Y
Output Horsepower	.50	1.00	2.00	.67	1.25	2.00	3.50	5.00	10.00	20.00



Pneumatic Conveying Systems
www.foxtrimaway.com

Blower Accessories

For more information, including dimensions on these components, visit:

www.converteraccessory.com/blower



Filter Canister and Element

Filter canister with filter element is always recommended for suction of the blower. The filter assembly will keep clean, dry air entering the blower. It will remove particulate matter and contaminants which have the potential to damage the blower.



Silencer

Add one (suction side) or a second silencer (pressure side) to your blower to reduce noise generated by the blower. Adding up to two silencers can decrease decibel level by up to 10DB. The level of noise reduction will vary depending on which blower and silencer(s) are combined.



Motor Starter

NEMA 4X, prewired START/STOP 3-wire control with through-the-cover overload RESET. Single phase or 3 phase models available. It includes an adjustable trip current and selectable manual or automatic reset. This is basically an on/off switch for your blower.



Variable Frequency Drive (VFD)

A VFD allows you to control the speed of the AC motor on the blower, which is powering your trim removal system. By controlling the speed of the motor, you then control the amount of air through the trim removal system. This may help you fine tune the system for optimum performance for your lightest to heaviest application, thereby decreasing noise, saving power and eliminating trim-breaks.



Converter Accessory Corporation

201 Alpha Road, PO Box 188, Wind Gap, PA 18091-0188

www.converteraccessory.com
sales@converteraccessory.com

Phone: 800-433-2413
610-863-6008

Fax: 800-709-1007
610-863-7818