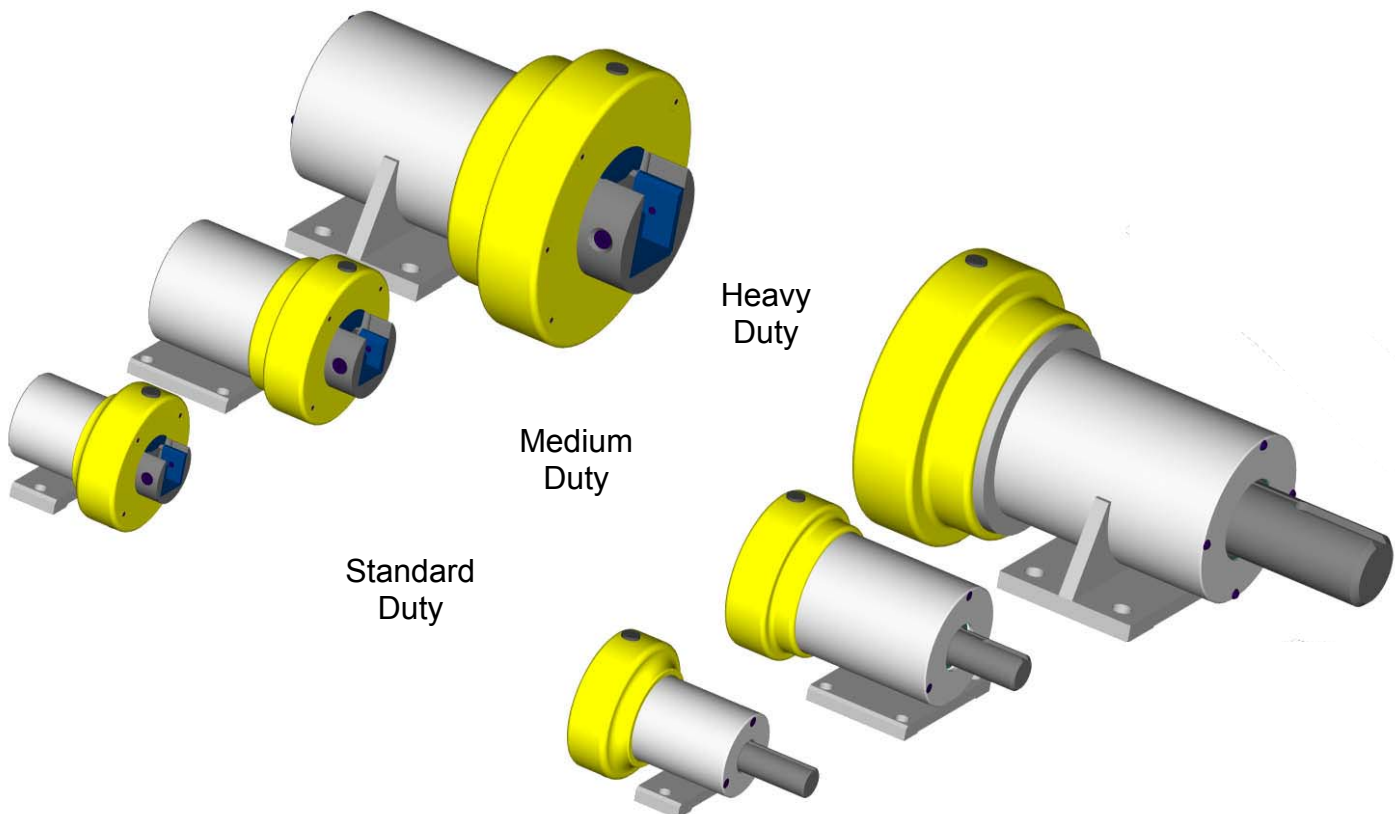


ShaftLok™ Safety Chucks

ShaftLok™ safety chucks are the perfect answer for safely handling and mounting unwind and rewind shafts. ShaftLok's unique **axially sliding capture plate** ensures safe shaft holding with no pinch points.

- Standard, medium and heavy duty models available
- Opens only in one position, allowing safe, easy loading and unloading
- Replaceable inserts available in square, diamond, triangle, 1/2 round, round and custom shapes
- Custom drive extensions are available
- Perfect for low to high speed applications
- Heavy duty steel construction
- Heavy duty ball bearings to ensure the basis for proper tension control
- Skew and lateral adjustment modules available
- Foot or flange mounting available



Standard Duty ShaftLok™ Safety Chucks

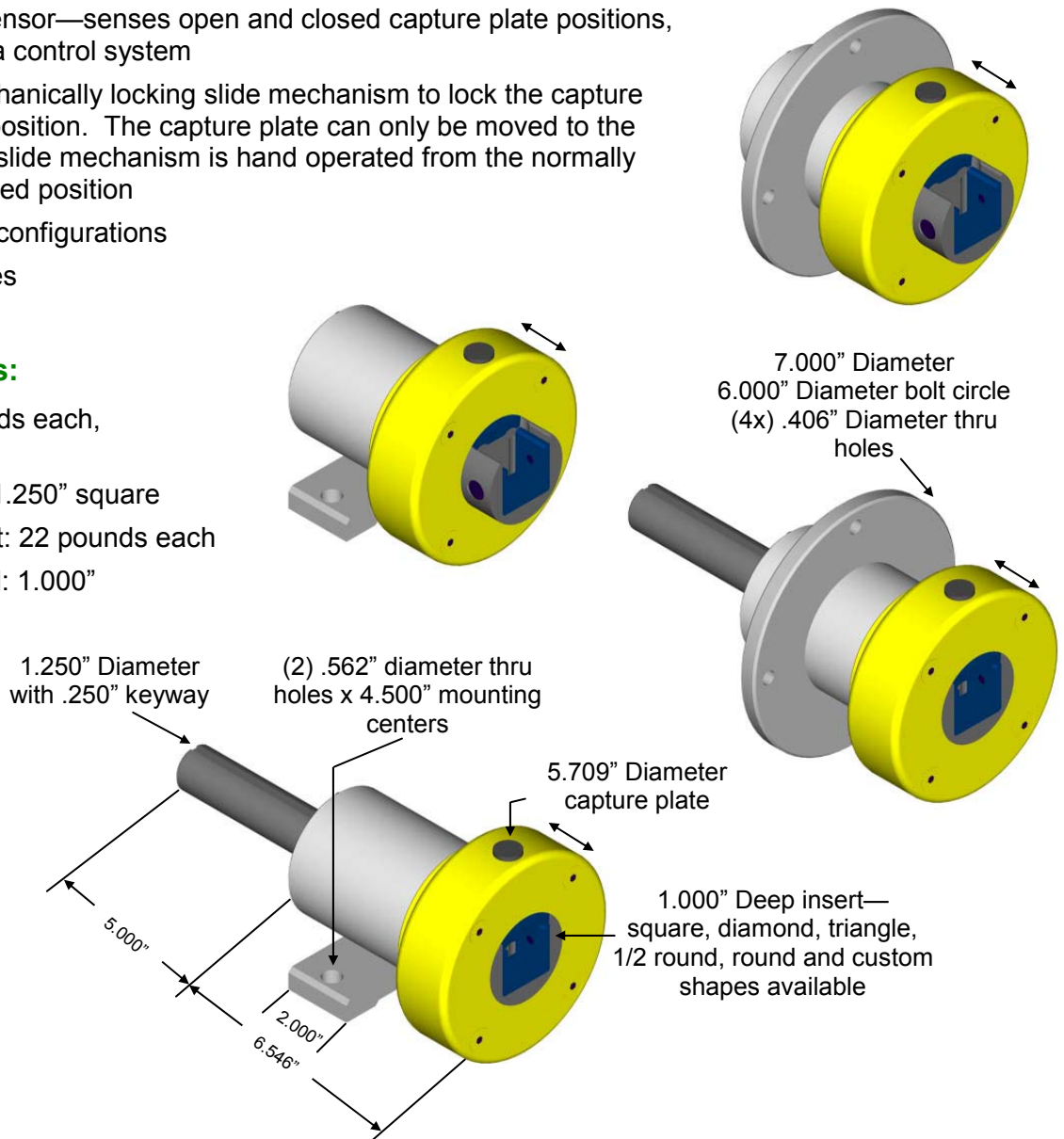


Available Options:

- Internal proximity sensor—senses open and closed capture plate positions, allows feedback to a control system
- Spring loaded, mechanically locking slide mechanism to lock the capture plate in the closed position. The capture plate can only be moved to the open position if the slide mechanism is hand operated from the normally locked to the unlocked position
- Custom drive shaft configurations
- Custom shaft cradles

Design Parameters:

- Capacity: 500 pounds each, 1000 pounds / pair
- Insert size: .750" - 1.250" square
- Approximate weight: 22 pounds each
- Capture plate travel: 1.000"



Medium Duty ShaftLok™ Safety Chucks

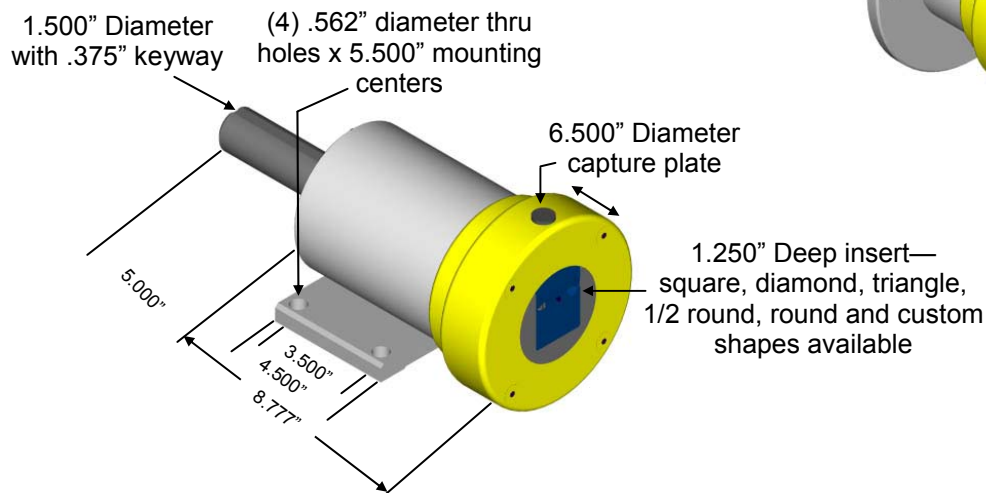
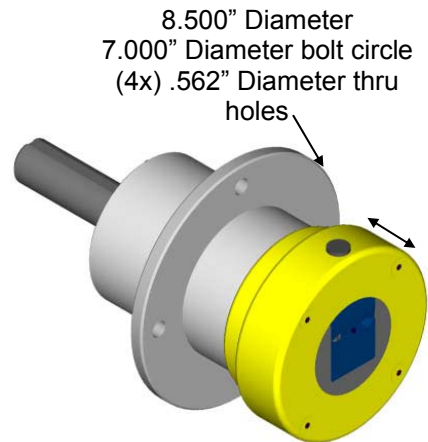
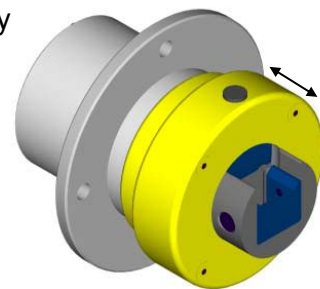
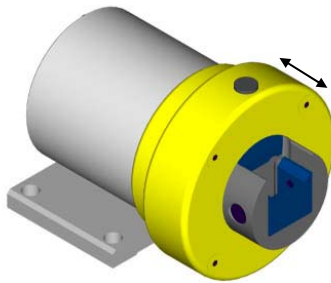


Available Options:

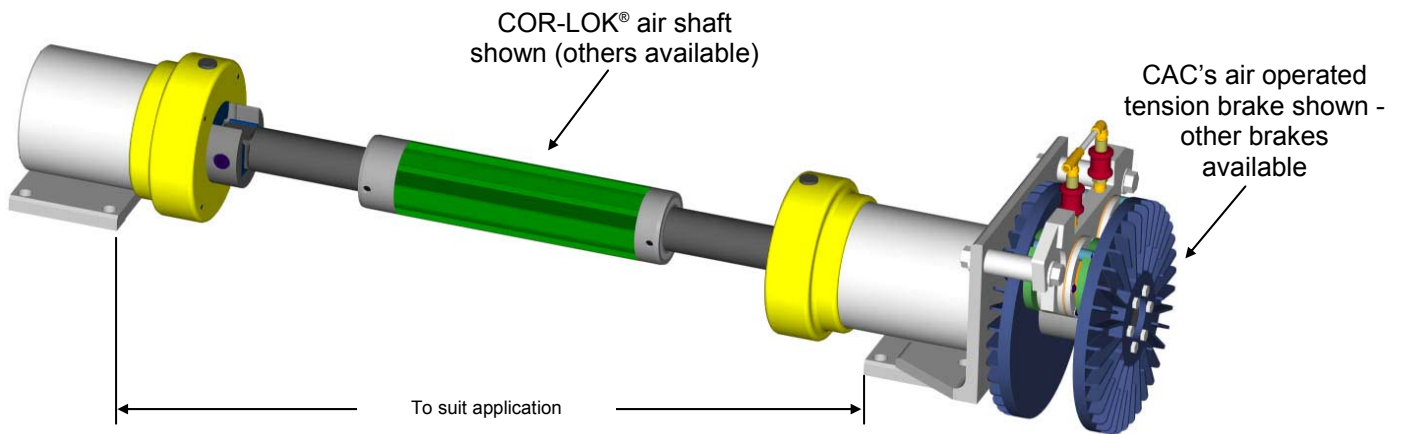
- Internal proximity sensor—senses open and closed capture plate positions, allows feedback to a control system
- Spring loaded, mechanically locking slide mechanism to lock the capture plate in the closed position. The capture plate can only be moved to the open position if the slide mechanism is hand operated from the normally locked to the unlocked position
- Custom drive shaft configurations
- Custom shaft cradles

Design Parameters:

- Capacity: 1500 pounds each, 3000 pounds / pair
- Insert size: .875" - 1.500" square
- Approximate weight: 49 pounds each
- Capture plate travel: 1.250"



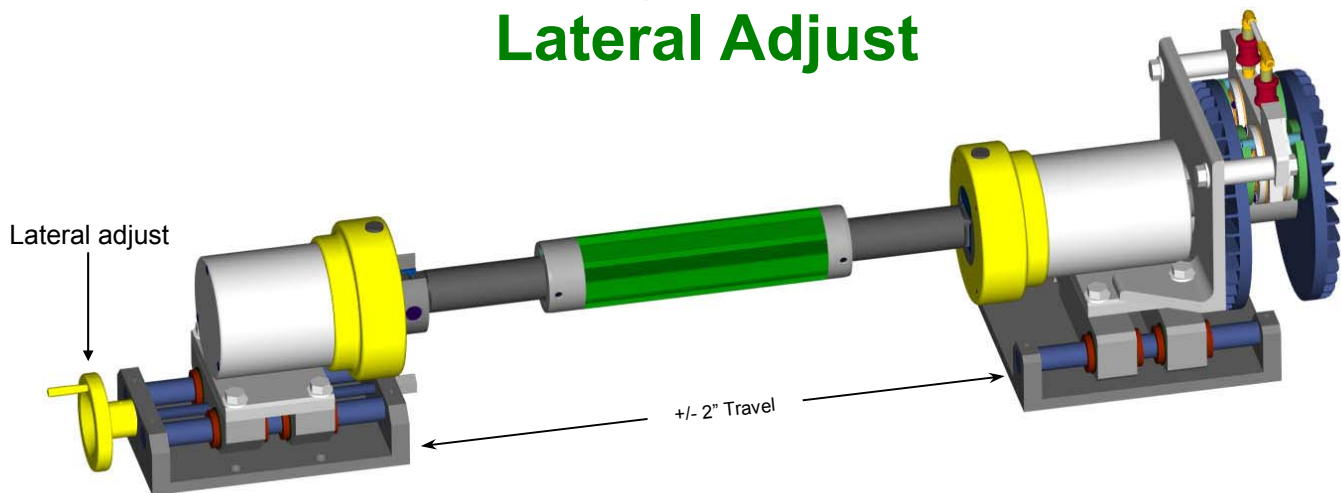
ShaftLok™ Safety Chuck Unwind Module



ShaftLok safety chuck modules are the perfect answer where the addition or upgrade of an unwind or rewind station is required. These modules work extremely well where easy installation of better braking or drive systems are desired. Heavy duty steel construction provides years of reliable operation. ShaftLok safety chucks include shaft capture plates which actuate axially with no pinch points for safe operation.

Designs may include CAC's air operated tension brake and CAC's COR-LOK® air shafts for a complete unwind and rewind module solution. These modules may also be supplied with other brakes and / or air shafts at your request.

ShaftLok™ Safety Chuck Module with Lateral Adjust

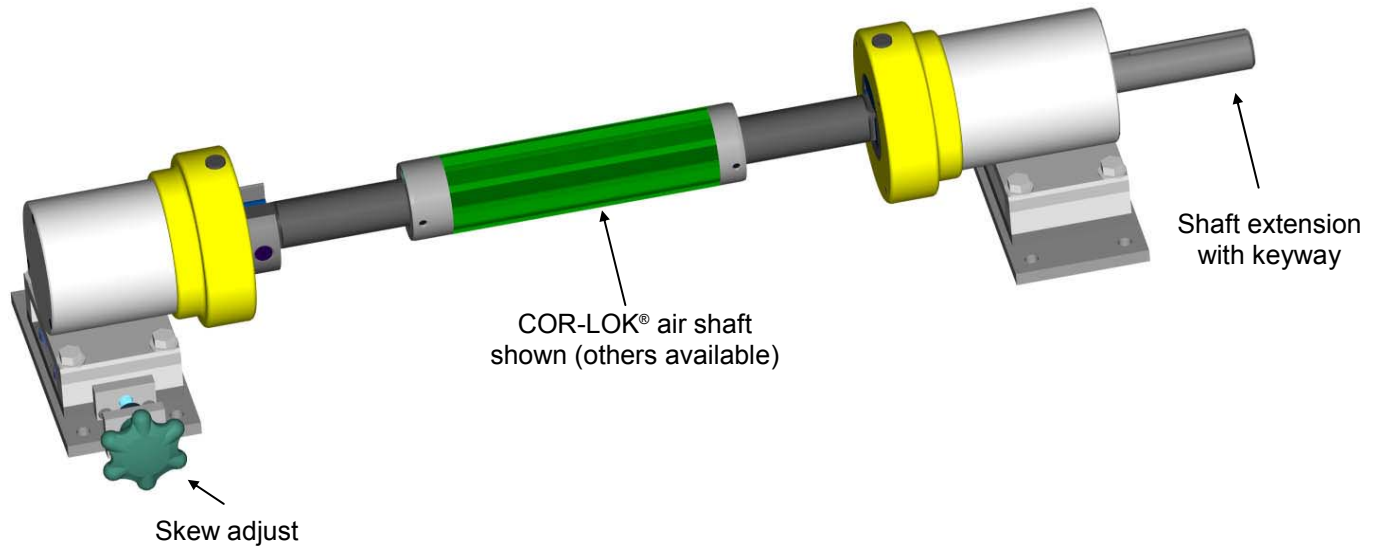


ShaftLok safety chuck module with lateral adjust allows manual side to side positioning of unwind and rewind rolls. Lateral adjustment of +/- 2" provides proper roll positioning to assist with web side lay issues in any converting process.

As with all ShaftLok safety chuck modules, CAC components, such as COR-LOK® air shaft and CAC's air operated tension brake may be supplied for a complete modular solution or these units may be designed to accommodate components supplied by others.

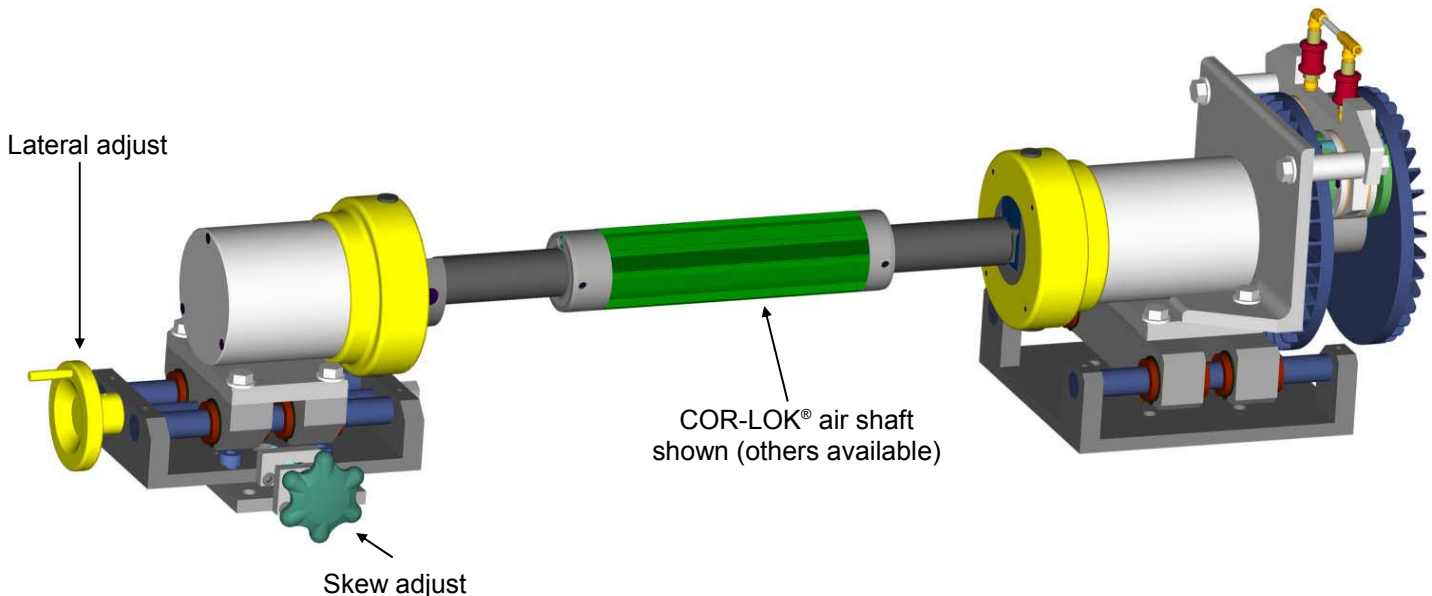
Visit www.converteraccessory.com/products/shaft_support to view and download specification sheets

ShaftLok™ Safety Chuck Module with Skew Adjust



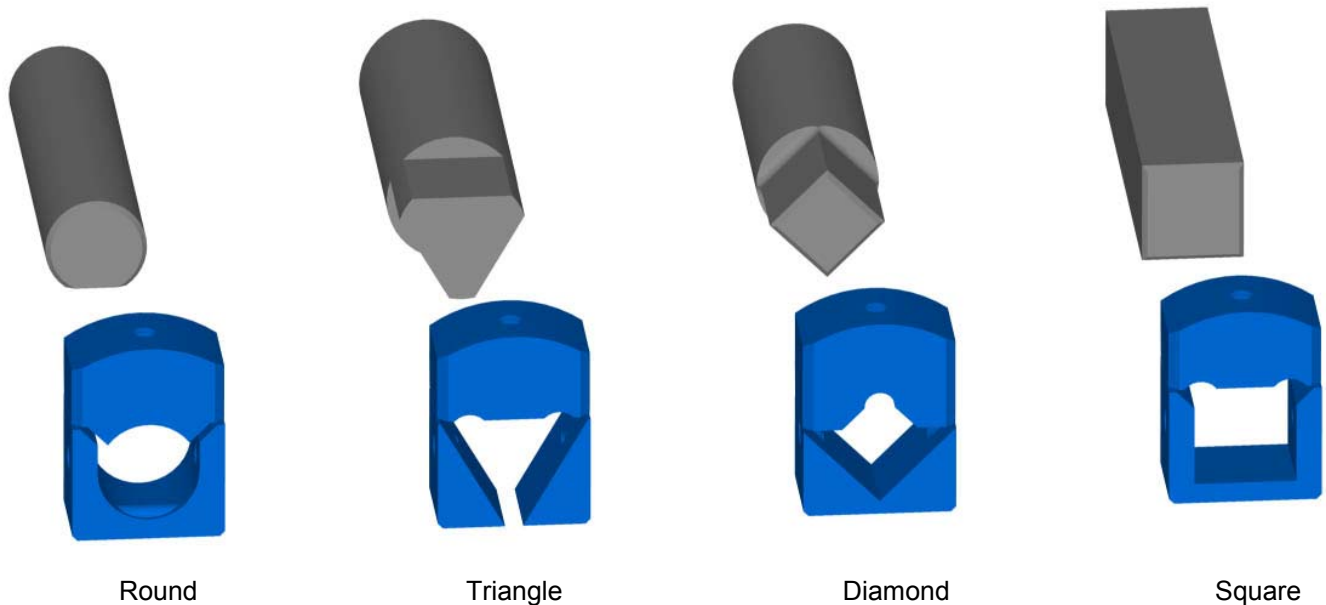
ShaftLok safety chuck module with skew adjustment is an effective solution to misaligned rolls and rollers. Skew adjustment of +/- .5" helps combat issues with even the worst tight-side / loose-side condition rolls.

ShaftLok™ Safety Chuck Module with Skew and Lateral Adjust



ShaftLok safety chuck module with skew and lateral adjust combines adjustments for misaligned rolls / rollers and side lay positioning. This assembly provides the ultimate for manually positioning unwind and rewind rolls.

Insert Shapes



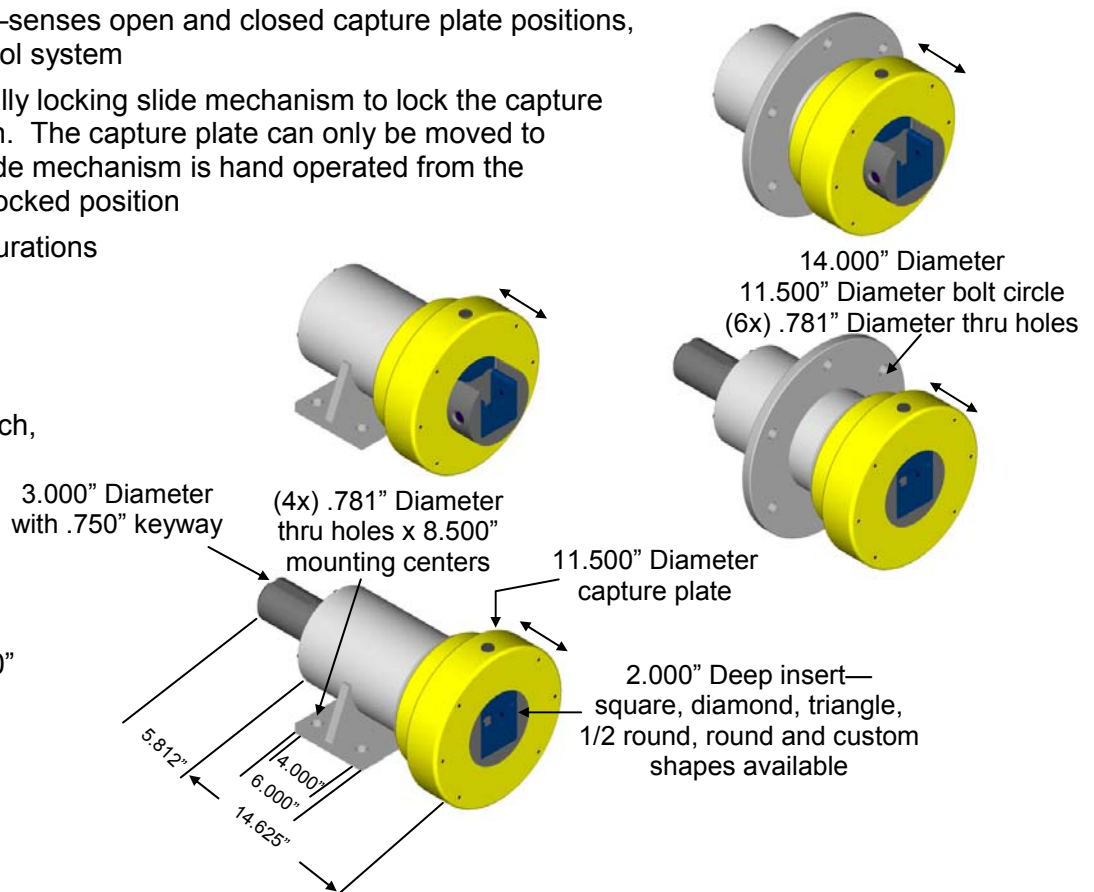
Heavy Duty ShaftLok™ Safety Chucks

Available Options:

- Internal proximity sensor—senses open and closed capture plate positions, allows feedback to a control system
- Spring loaded, mechanically locking slide mechanism to lock the capture plate in the closed position. The capture plate can only be moved to the open position if the slide mechanism is hand operated from the normally locked to the unlocked position
- Custom drive shaft configurations
- Custom shaft cradles

Design Parameters:

- Capacity: 5000 pounds each, 10,000 pounds / pair
- Insert size: 2.500" square maximum
- Approximate weight: 220 pounds each
- Capture plate travel: 2.000"



Visit www.converteraccessory.com/products/shaft_support to view and download specification sheets



Tried, tested and reliable products for the web-fed industry

- Air shafts and chucks - www.cor-lok.com
- Pneumatic trim and matrix removal systems
www.foxtrimaway.com
- Shaft support systems - www.simplok.com
- Wrinkle removal systems - www.cacwrinklestop.com
- Unwind / rewind systems
www.converteraccessory.com/products/roll_support
- Modular slitting systems
www.converteraccessory.com/products/slitting
- Brakes and clutches
www.converteraccessory.com/products/related/brake
- Roll Handling
www.converteraccessory.com/products/roll_lifting
- Dancer Roll Assemblies
www.converteraccessory.com/products/dancer
- Slitting - www.converteraccessory.com/products/slitting
- Idlers - www.converteraccessory.com/products/related/mainidler
- Custom Equipment
www.converteraccessory.com/products/related

Visit us at www.converteraccessory.com/salesrep
for your local sales representative or
contact us direct

CONVERTER ACCESSORY CORPORATION

201 Alpha Road, Wind Gap, PA 18091-1279

www.converteraccessory.com

Email: cac@epix.net

●800-433-2413 ●610-863-6008
●800-709-1007 ●610-863-7818 FAX

Web Handling Technology . . . CAC Engineered and Manufactured