

MAX. PRESSURE – 125"H<sub>2</sub>O (60Hz), 125"H<sub>2</sub>O (50Hz)  
 MAX. AIR FLOW – 680 CFM (60Hz), 585 CFM (50Hz)

MOTOR ENCLOSURE: TEFC

HP/kw: 60Hz 15/11,1  
 50Hz 10/7,5

VOLTAGE: 60Hz 208-230/460-3  
 50Hz 190-220/380-440-3

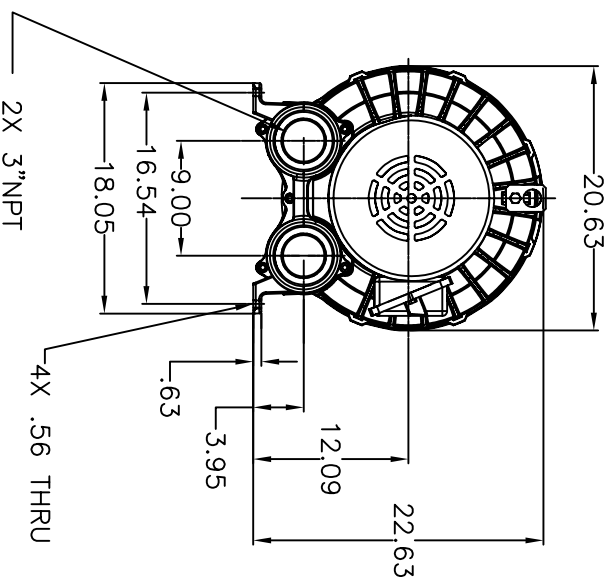
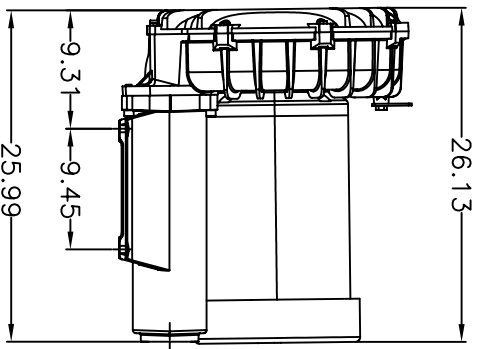
AMPS: 60Hz 50-50/25  
 50Hz 46-42/23-21

STARTING AMPS: 60Hz 173 @ 460V  
 50Hz 185 @ 440V

INSULATION CLASS: F

RECOMMENDED NEMA STARTER SIZE: 2/2

NET WEIGHT (lbs/kg): 452/204



REV.	DATE	REVISION	BY
		FINISH REQUIRED	
TOLERANCES UNLESS OTHERWISE NOTED			
±.005 .000			
±.015 .00			
FRACTIONAL			
±1/64			
ANGULAR			
±1°			

THESE DRAWINGS AND SPECIFICATIONS CONTAIN INFORMATION PROPRIETARY AND CONFIDENTIAL TO WIND GAP, PA. NO PORTION OF THIS DRAWING MAY BE REPRODUCED OR COPIED WITHOUT PRIOR WRITTEN PERMISSION OF CONVERTER ACCESSORY CORPORATION.



CONVERTER ACCESSORY CORP.  
 WIND GAP, PA

TITLE: MODEL #1015G REGENERATIVE BLOWER  
 DRAWN BY: MJT SCALE: 1/8"=1"  
 DATE: 1-24-05  
 DWG. NO.: 20222-60 DISK FILE: MEPROJ

CUSTOMER: CUSTOMER SO#: DATE: