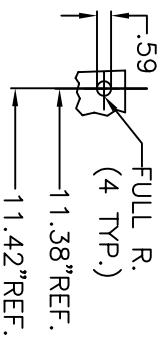
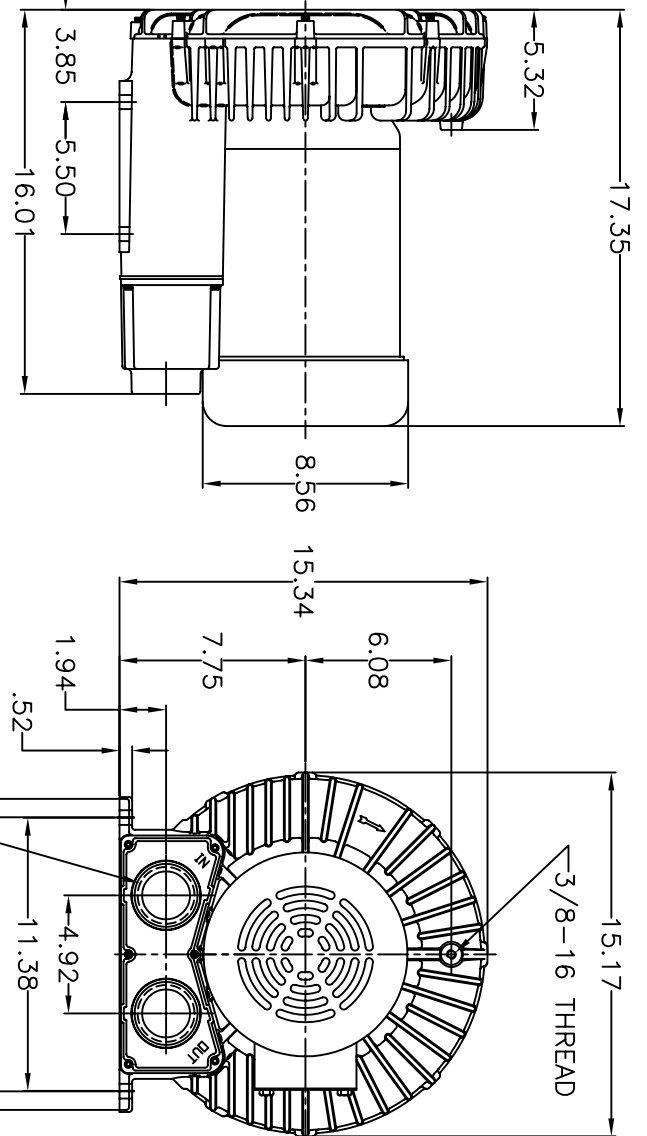


MAX. PRESSURE— 105"H<sub>2</sub>O (60Hz), 78"H<sub>2</sub>O (50Hz)  
 MAX. AIR FLOW— 207 CFM (60Hz), 180 CFM (50Hz)

MOTOR ENCLOSURE: TEFC

HP/kw: 60Hz 5.0/3.7  
 50Hz 4.8/3.6  
 VOLTAGE: 60Hz 208-230/460-3  
 50Hz 190-220/380-415-3  
 AMPS: 60Hz 13.0-12.0/6.0  
 50Hz 14.4-13.4/7.2-6.8  
 STARTING AMPS: 60Hz 125 @ 230V  
 50Hz 57 @ 380V

INSULATION CLASS: F  
 RECOMMENDED NEMA STARTER SIZE: 1/0  
 NET WEIGHT(lbs/kg): 112/50,8



REV.	DATE	REVISION	BY
		FINISH REQUIRED	
TOLERANCES UNLESS OTHERWISE NOTED			
±.005 .000			
±.015 .00			
FRACTIONAL			
±1/64			
ANGULAR ±1°			
<small>THESE DRAWINGS AND SPECIFICATIONS CONTAIN INFORMATION PROPRIETARY AND CONFIDENTIAL TO CONVERTER ACCESSORY CORPORATION. NO PORTION OF THIS DRAWING MAY BE REPRODUCED OR COPIED WITHOUT PRIOR WRITTEN PERMISSION OF CONVERTER ACCESSORY CORPORATION.</small>			
		<b>CONVERTER ACCESSORY CORP.</b> WIND GAP, PA	
<b>TITLE:</b> MODEL #600G REGENERATIVE BLOWER			
<b>DRAWN BY:</b> MJT		<b>SCALE:</b> 1/8"=1"	
<b>DWG. NO.:</b> 20222-57		<b>DATE:</b> 1-21-05	
<b>CUSTOMER:</b>		<b>DISK FILE:</b> MEPROJ	
<b>CUSTOMER SO#:</b>		<b>DATE:</b>	