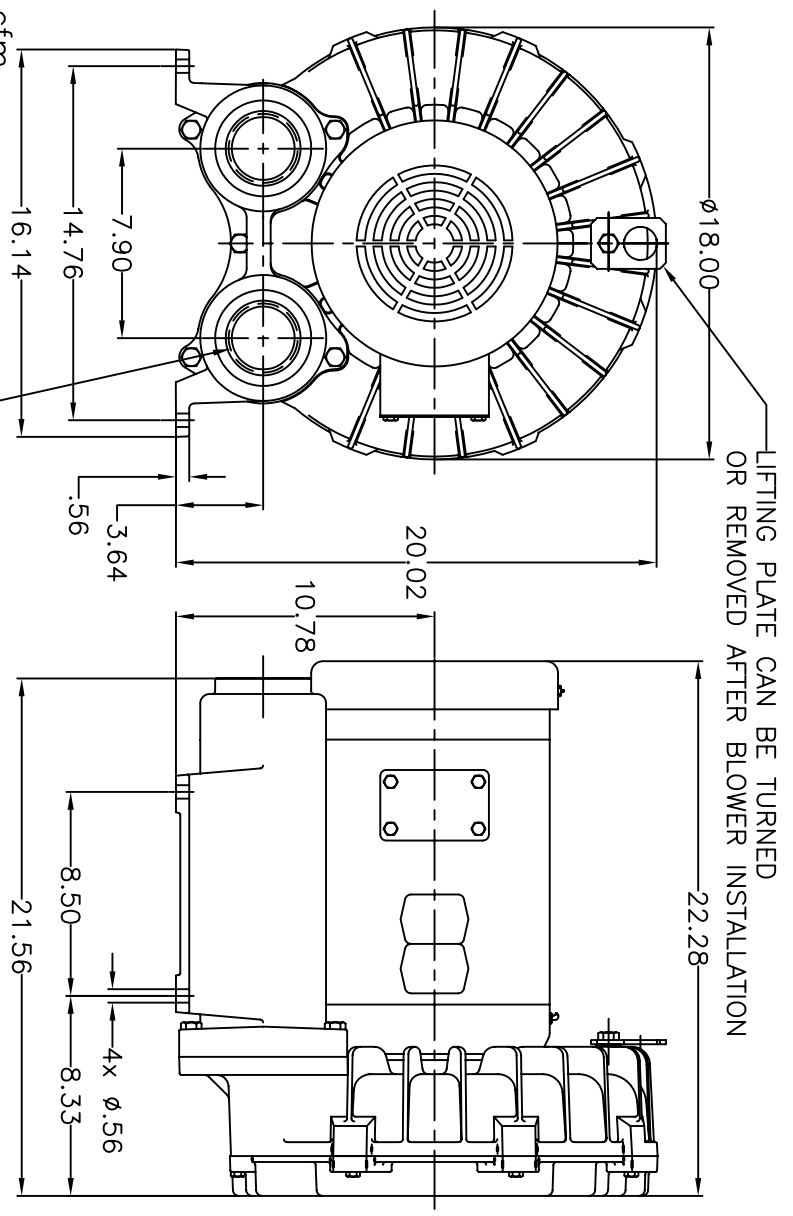


MAX. PRESSURE - 125" H₂O (60Hz), 115" H₂O (50Hz)
 MAX. AIR FLOW - 420 CFM (60Hz), 350 CFM (50Hz)

MOTOR ENCLOSURE: TEFC

HP/kw: 10/7.5
 VOLTAGE: 208-230/460-3
 AMPS: 60Hz 190-220/380-440-3
 50Hz 35-29.5/15
 STARTING AMPS: 60Hz 27-23/13.5-12.3
 50Hz 120 @ 460V
 143 @ 380V

INSULATION CLASS: F
 RECOMMENDED NEMA STARTER SIZE: 2/1
 NET WEIGHT (lbs/kg): 293/133



2X 2-1/2" NPT

LIFTING PLATE CAN BE TURNED
 OR REMOVED AFTER BLOWER INSTALLATION

REV.	DATE	REVISION	BY
		FINISH REQUIRED	
TOLERANCES UNLESS OTHERWISE NOTED			
±.005 .000			
±.015 .00			
FRACTIONAL			
±1/64			
ANGULAR			
±1°			

QAC CONVERTER ACCESSORY CORP. WIND GAP, PA

TITLE: MODEL #800G REGENERATIVE BLOWER
 DRAWN BY: MJT SCALE: 1/8" = 1"
 DATE: 1-21-05
 DWG. NO.: 20222-59 DISK FILE: MEPROJ

CUSTOMER: CUSTOMER SO#: DATE:

THESE DRAWINGS AND SPECIFICATIONS CONTAIN INFORMATION PROPRIETARY AND CONFIDENTIAL. NO PORTION OF THIS DRAWING MAY BE REPRODUCED OR COPIED WITHOUT PRIOR WRITTEN PERMISSION OF CONVERTER ACCESSORY CORPORATION.