



Converter Accessory Corporation
www.converteraccessory.com



Core Locking / Holding Systems
www.cor-lok.com



CAC's COR-LOK air shafts and chucks are manufactured under US Patent number 4,944,468

COR-LOK® Air Shaft for Cantilevered Mounting with Built-in Lateral Adjust



For more information and specifications, visit:
www.cor-lok.com

Unique Air Shaft for Cantilevered Unwinding and Rewinding Allows On-the-fly Side-lay Adjustment

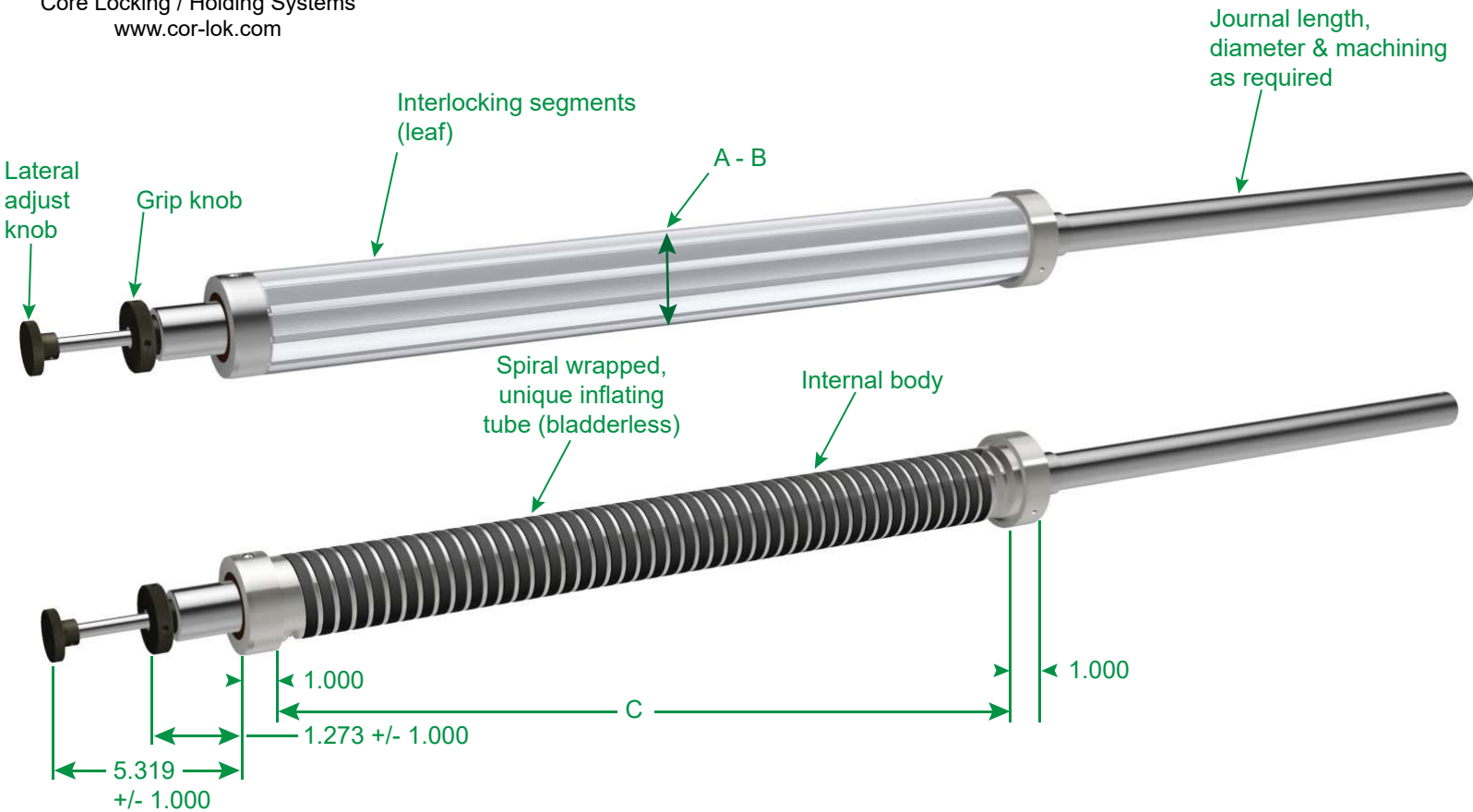
CAC's COR-LOK air shaft with built-in lateral adjust allows machine operators to adjust roll side-lay. Lateral adjust air shafts are available for cantilevered installations in narrow-web applications. This system is designed for use with label presses, packaging machines and laminating machines and anywhere lateral adjustment, while the web is in motion, is desired. The lateral adjust option is built into the air shaft. An easily and safely operated hand wheel facilitates side to side +/- 1 inch adjustment while the machine is running and production continues. Optional core stop flange is available. The air shaft can be inflated with an air gun or through a toggle valve.

- Position unwind and rewind rolls, while the machine is running (grip knob)
- +/- 1 Inch easy lateral positioning
- Interlocking segment (leaf) design ensures rolls slide on and off easily for fast roll changes
- High torque output to ensure your cores stay locked - **no core slipping**
- Interlocking segment (leaf) design insures zero core damage
- Engineered inflating tube (bladderless)
- **Built to last**
- **Made in the USA!**
- 2" - 18" Diameter cores
- 3" - 60" Roll or core width (go to www.cor-lok.com for specifications)
- Aluminum (standard), steel, stainless steel and carbon fiber construction
- **Designed to fit your unwind or rewind stand**



Inside CAC's COR-LOK® Air Shafts

Core Locking / Holding Systems
www.cor-lok.com



	A	B	C
Core size	Deflated Diameter	Inflated Diameter	Expanding Length
2	1-31/32	2-3/32	3-40
3	2-15/16	3-1/8	3-48
4	3-15/16	4-3/16	3-60
6	5-15/16	6-3/16	3-60
6-3/4	6-11/16	6-7/8	3-60
7	6-15/16	7-3/16	3-60
8	7-15/16	8-3/16	3-60
9	8-15/16	9-3/16	3-60
10	9-15/16	10-3/16	3-60
11	10-15/16	11-3/16	3-60
12	11-15/16	12-3/16	3-60

Options

- Core stop flange
- Steel construction for heavy duty loads (aluminum construction standard)
- Carbon fiber construction
- Rotary union
- Custom engineered journals with specialized machining
- Combine with CAC's unwind and rewind stands
- +/- 1" Standard adjustment, custom longer adjustment length available

Notes: 1) All dimensions in inches.
2) Custom and metric core sizes available, please contact us for more information.



Converter Accessory Corporation

201 Alpha Road, PO Box 188, Wind Gap, PA 18091-0188

www.converteraccessory.com
sales@converteraccessory.com

Phone: 800-433-2413
610-863-6008

Fax: 800-709-1007
610-863-7818