

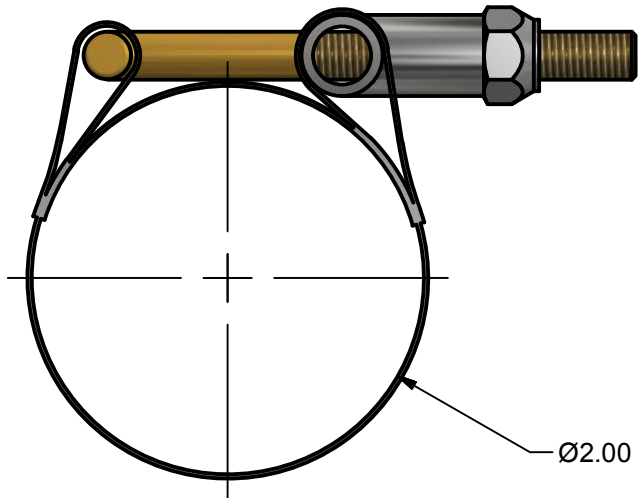
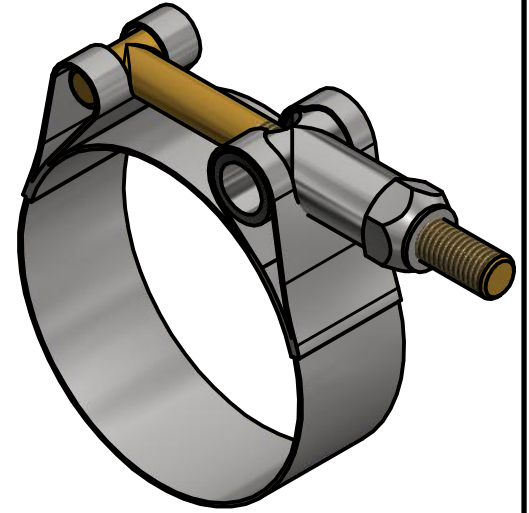
2



1

B

B



Ø2.00



.750



A

CUSTOMER: \_\_\_\_\_  
APPROVED BY: \_\_\_\_\_ DATE: \_\_\_\_\_

PART NUMBER: 20222-95  
PART IS STAINLESS STEEL

NOTES:  
\_\_\_\_\_  
\_\_\_\_\_  
\_\_\_\_\_

THESE DRAWINGS AND SPECIFICATIONS CONTAIN INFORMATION WHICH CONVERTER ACCESSORY CORPORATION CONSIDERS PROPRIETARY AND CONFIDENTIAL. NO PORTION OF THIS DRAWING MAY BE REPRODUCED OR COPIED WITHOUT PRIOR WRITTEN PERMISSION OF CONVERTER ACCESSORY CORPORATION.



WIND GAP, PA 18091  
WWW.CONVERTERACCESSORY.COM

TITLE  
**2" HIGH TORQUE DUCT CLAMP**

SIZE A	DWG NO 18503-183A	REV A
DATE	DRAWN MEMAST	QUOTE NO.

2



1

A