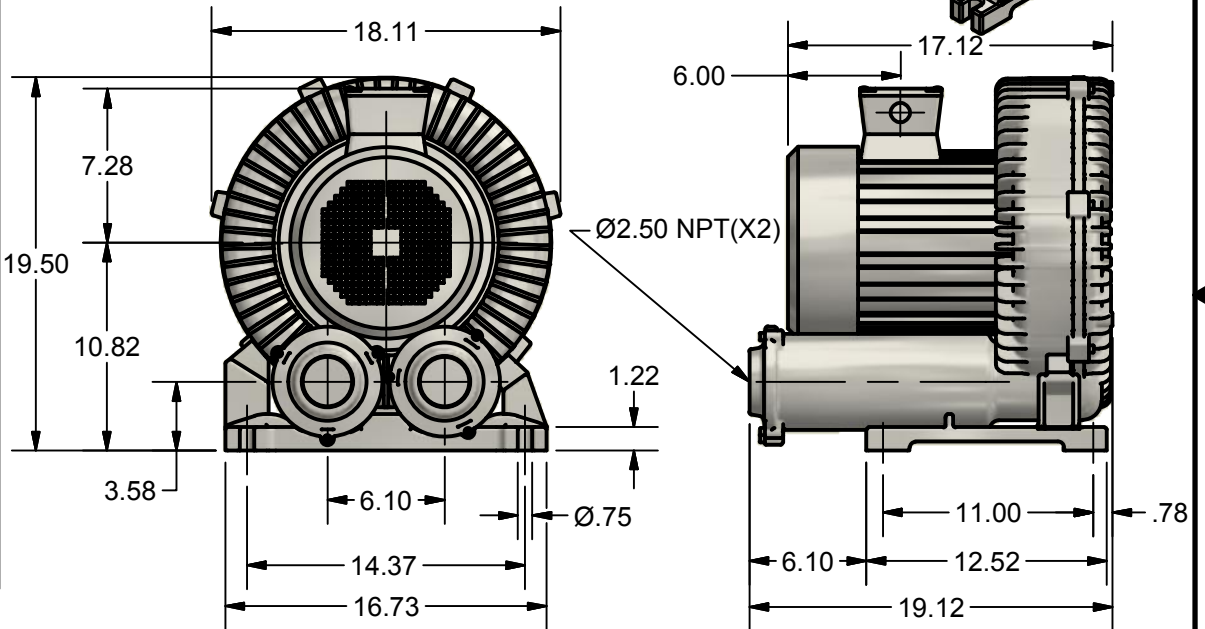
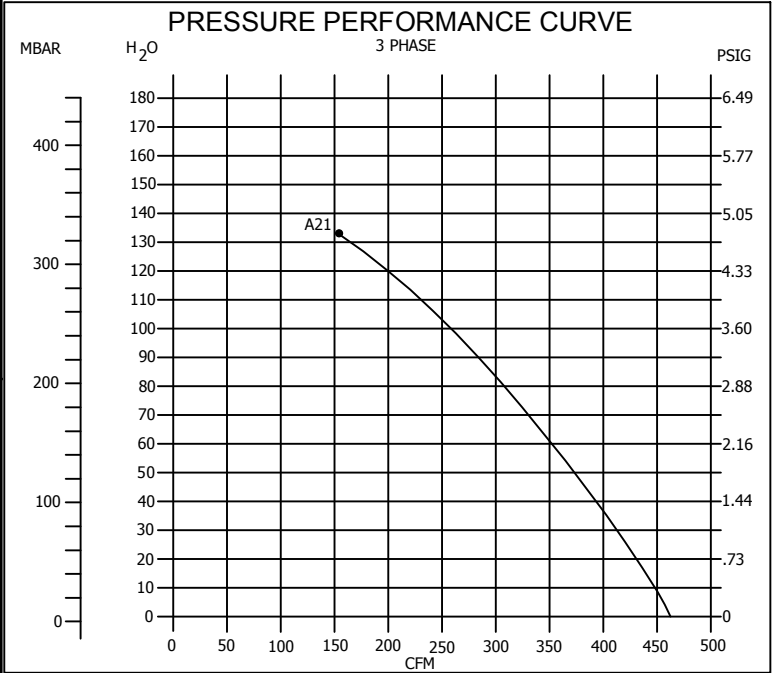
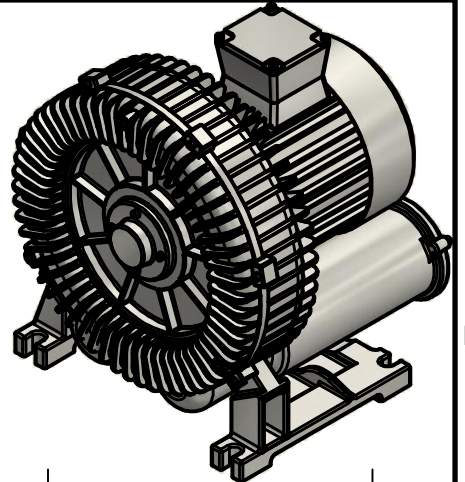


MODEL NO.	CURVE NO.	FREQUENCY (HZ)	FLOW (CFM)	MAX. PRESSURE (INCH WATER)	MAX. VACUUM	SOUND LEVEL (db)	INLET / OUTLET NPT
800AB	A21	60Hz	464	134	129	80	2.50"
		50Hz	387	90	87	72	

PHASE	FREQUENCY (HZ)	VOLTAGE	CURRENT	KW	HP	WEIGHT (LBS)
3	60Hz	220-275/380-480	36.5Δ/20.8Y	7.5	10.00	185
	50Hz	200-240/346-415	30.4Δ/17.3Y	6.5	8.70	



CUSTOMER: _____
 APPROVED BY: _____ DATE: _____

- ACCESSORIES:**
- | | |
|----------------------------------|-----------|
| FILTER CANISTER: | 20222-238 |
| FILTER ELEMENT: | 20222-239 |
| SILENCER: | 20222-230 |
| ENCLOSED MOTOR STARTER (230V): | 20222-264 |
| ENCLOSED MOTOR STARTER (460V): | 20222-265 |
| VARIABLE FREQUENCY DRIVE (230V): | 20222-266 |
| VARIABLE FREQUENCY DRIVE (460V): | 20222-267 |

NOTES: _____

SHOWN, PART#20222-225

THESE DRAWINGS AND SPECIFICATIONS CONTAIN INFORMATION WHICH CONVERTER ACCESSORY CORPORATION CONSIDERS PROPRIETARY AND CONFIDENTIAL. NO PORTION OF THIS DRAWING MAY BE REPRODUCED OR COPIED WITHOUT PRIOR WRITTEN PERMISSION OF CONVERTER ACCESSORY CORPORATION.

CAC CONVERTER ACCESSORY CORP.
 WIND GAP, PA 18091
 WWW.CONVERTERACCESSORY.COM

TITLE: **MODEL#800AB REGENERATIVE BLOWER**

SIZE: A	DWG NO: 18503-281A	REV:
DATE:	DRAWN: MEMAST	QUOTE NO.:

2

1

2

1